

V-TUF[®]



GRINDEX1300LPS

M CLASS INDUSTRIAL
DUST EXTRACTOR
USER MANUAL



Please read this manual before using the GRINDEX1300LPS

TABLE OF CONTENTS:

1. SAFETY INSTRUCTIONS	3
2. TECHNICAL DATAS	10
3. DESCRIPTION OF THE MACHINE	11
4. MACHINE PARTS	12
5. USING THE VACUUM CLEANER	12
6. SUCTION	12
7. FILTER SHAKE USE	12
8. MANUAL EMPTYING TANK	13
9. ACCESSORIES	15
10. FILTER REPLACEMENT	16
11. WIRING DIAGRAMS	17

SAFETY INSTRUCTIONS

OPERATOR SAFETY



IT IS NECESSARY THAT THE AUTHORIZED PERSONNEL AND MACHINE OPERATOR HAVE READ AND UNDERSTOOD THE MANUAL BEFORE USING THE MACHINE.

This use and maintenance manual will set out the guidelines and procedures that must be followed by those operating this equipment in order to guarantee:

- Operator safety
- Correct use of the machine
- Optimum performances

Before use, operators must be informed, instructed and trained in the use of the machine and the substances for which it must be used, as well as their proper disposal. Due to the importance of this information, we recommend that the operator:

- Always keeps this manual close at hand for easy consultation
- Keeps the manual in a safe place in order to prevent loss or damage
- Asks the manufacturer/supplier for a replacement copy in case of loss or damage
- Supplies this manual and the manufacturer's details together with the machine if it is sold to a third party



THE USE OF THE MACHINE BY PEOPLE (INCLUDING CHILDREN) WITH LIMITED PHYSICAL AND MENTAL CAPACITIES OR LACKING IN EXPERIENCE AND KNOWLEDGE IS STRICTLY FORBIDDEN, UNLESS THEY ARE SUPERVISED BY A PERSON WHO IS EXPERIENCED IN THE USE AND SAFE HANDLING OF THE MACHINE. CHILDREN MUST BE SUPERVISED TO MAKE SURE THEY WILL NOT PLAY WITH THE MACHINE.

- Check that the vacuum cleaner hasn't been damaged in any way
- Never turn on the machine if it is faulty or if you suspect it is faulty
- Check that the switch isn't worn or damaged
- Use safety clothing
- Do not approach the suction intake of the machine with unfastened or broken garments that could easily be sucked into the machine
- Check that the filters are present and efficient
- Make sure that the filters are installed correctly and in full working order, always observing the regulations in force in the workplace
- Do not carry out repairs without the manufacturer's authorization
- Never use gasoline, solvents or other inflammable liquids for cleaning; only proper detergents should be used for cleaning
- Never move the machine by pulling the power cable or flexible hose
- Never direct the opening of the machine or the flexible tube towards people or animals
- Protect the machine from atmospheric precipitation
- Check that the machine is connected to a power source with the correct voltage indicated on the registration plate

- Make sure that the power cable has no wear or damage. If replacing the cable, always replace it with another of the same specifications as the original one: cables that are not approved or of inferior quality may overheat and cause serious injury to the user
- Make sure that the machine is connected to an appropriate power source in full working order (check the presence of a fully functional grounding socket)
- Repairs must only be carried out by authorised personnel and only when the machine is turned off and disconnected from the power source
- Never allow unauthorized personnel to use the machine
- Make sure that all safety devices are in full working order before turning on the machine
- Never cover the vacuum cleaner during use



DURING MAINTENANCE AND CLEANING OPERATIONS, THE OPERATOR MAY COME INTO CONTACT, WHILE THE MACHINE IS STOPPED, WITH PARTS OF THE VACUUM UNIT WITH SURFACES AT HIGH TEMPERATURES.

UNINTENDED USE

Strictly forbidden:

- Use with the air outlet partially or totally closed.
- When used in narrow areas where there is no fresh air.
- Vacuuming liquids with machine not equipped with specific original stopping systems.
- When not placed on horizontal level ground.
- When the filter unit is not installed.
- When the cooling vents are partially or totally clogged.
- Never suck up cigarette butts that have not been properly damped.
- Never suck up powders or liquids that are explosive by nature or incendiary or that may give rise to explosions.
- Never operate in environments where explosive gases and/or gases from toxic chemical products are present in the air.
- Check the suitability of the cartridge filter before sucking up toxic substances.
- Disconnect from the power outlet before accessing any electrical components of the machine.
- Do not modify the machine in any way.
- Do not use the machine in a way that does not comply with the requirements of this manual.
- It is not allowed to suck up corrosive gases, vapors and / or liquids.
- Do not leave liquid or powder inside the container and possibly dry the filter before storage.

PROPER USE

This machine is suitable for commercial use, in hotels, schools, hospitals, factories, shops, offices for example, for hire and in any case for purposes other than normal domestic use.

This machine is suitable for cleaning and vacuuming solid materials in indoor and outdoor environments.

GENERAL INFORMATIONS

Use the machine in accordance with the laws in force in the country where it is used. Do not perform any operation that could jeopardize the safety of people, property and the environment.

Comply with the safety indications and prescriptions in this instruction manual.

The power frequency variation does not require any action on the part of the user.

The manufacturer reserves the right to update its products and manuals and is not required to provide updated versions of the them. The images are intended for reference only and are not binding in terms of design and equipment.

Request for a copy of the manual or the declaration of conformity, in paper or electronic format, must be requested from your dealer and / or the manufacturer V-TUF, info@V-TUF.it

SYMBOLS AND PICTOGRAMS PRESENT IN THE MANUAL



WARNING SYMBOL:

CAREFULLY READ THE SECTIONS MARKED WITH THIS SYMBOL AND OBSERVE THE INDICATIONS, FOR THE SAFETY OF THE OPERATOR AND THE MACHINE.



OPEN BOOK SYMBOL: USED TO TELL THE OPERATOR TO READ THE MANUAL BEFORE USING THE MACHINE.



WARNING SYMBOL: INDICATES DANGER OF CRUSHING HANDS.

SYMBOLS AND PICTOGRAMS PRESENT IN THE MANUAL



HIGH VOLTAGE DANGER SYMBOL:

RISK OF ELECTROCUTION DANGER IN CASE OF ACCESS DURING MAINTENANCE TO ELECTRICAL EQUIPMENT WITHOUT HAVING TURNED OFF THE POWER SUPPLY. IT REFERS TO THE SUCTION UNIT.



HIGH TEMPERATURE SYMBOL: CAUTION DANGEROUS TEMPERATURE.

INDICATES HOT SURFACE HAZARD IT REFERS TO THE MOTOR / TURBINE OF THE SUCTION UNIT.



SPECIFIC MARKING OF EXPLOSION PROTECTION (EPSILON-X, IN THE HEXAGON)

WARRANTY

The vacuum cleaners manufactured by V-TUF have been fully inspected to guarantee correct electrical, pneumatic and mechanical function. The vacuum cleaners are covered by a 12-month warranty. All defective parts of the machine are covered by warranty but this does not include parts damaged during shipping, handling or use nor does it cover parts damaged by normal wear and tear. Repairs can be carried out by an authorised service centre or directly by V-TUF.

To request your warranty service you **MUST** send a written request to the dealer or directly to the manufacturer including the manufacturing details that can be found on the identification plate inside your machine together with a copy of the invoice.

The warranty is valid under the following conditions:

- Improper use of the machine or total or partial failure to comply with the contents of this manual.
- Any part of the vacuum cleaner is altered or modified in any way.
- Incorrect electrical installation.
- If the laws in the country of use are not respected.
- Inadequate maintenance.
- The machine has not undergone routine maintenance as specified in this manual.
- Use of spare parts that are not produced by V-TUF or not specifically indicated for the model in use.
- Partial or total failure to comply with the instructions given in this manual.

PRODUCT DISPOSAL

Dispose of the machine and any accessories according to the legislation of the country. To avoid affecting the environment or your health or of others it is recommended to separate the machine from other waste, and if necessary properly recycle it.

DELIVERY AND HANDLING

All machines are carefully tested and checked by V-TUF before delivery. The machine is transported inside a protective box or wrapped in a protective film that allows the courier to see the item during transport and is securely fixed to a pallet. If any part of the machine is not intact or has been damaged during transport, fill in an immediate complaint with the courier. Parts that have been damaged or broken due to incorrect transport or handling of the machine will not be recognised by the manufacturer's warranty. The machine must be lifted and moved using a forklift truck in accordance with the relevant safety regulations in force in the workplace.

CHECK THE PROPER ELECTRICAL CONNECTION

Connect the industrial plug to the power cable and connect the plug to a socket that has the same amp rating and is protected by a line-isolating switch.

In the case of the three-phase vacuum cleaner, it is necessary to check before use that the motor rotates in the correct direction (clockwise) as shown by the die-cast indicator on the turbine; if rotation occurs in an anti-clockwise direction, it is necessary to disconnect the machine from the power source, invert one of the three phase cables inside the plug and check again for correct rotation.



BEFORE USING THE MACHINE CHECK THAT THE MACHINE HAS NOT SUFFERED ANY SHOCKS OR DAMAGES DURING THE TRANSPORT THAT CAN AFFECT THE OPERATION OF THE ABOVE DEVICES

EXTENSION CABLE

If an extension cable is used, pay attention to the section that must be adequate for the absorbed current and to the degree of protection indicated on the machine plate.

MAINTENANCE

Maintenance and cleaning operations must ALWAYS be carried out when the vacuum is turned off and disconnected from the power source. No particular measures must be taken for the maintenance, cleaning or lubrication of the suction unit. However, it is important to remember that correct use and servicing are essential if the safety and efficiency of the vacuum are to be guaranteed. To ensure regular and constant operation and to prevent the warranty from becoming void, always use genuine V-TUF spare parts when repairs are needed.

BEFORE TURNING ON AND TURNING OFF EVERY DAY

- Visually check that the suction hose has not been damaged in any way (it must not be damaged, torn, crushed).
- Check that the electrical switches are in full working order and are not damaged in any way.
- Empty the main barrel.
- Check that the suction hose has not been damaged in any way.
- Check that the motor head is correctly positioned on the filter chamber and that the latter is correctly placed on the main barrel.
- If the vacuum cleaner is moved, ensure that the power voltage of the plug in this new location corresponds to the one on the technical data plate .

EVERY 200 HOURS OF OPERATION (EVERY 10 HOURS FOR ATEX MODELS)

Verificare lo stato del filtro principale:

- Check the condition of the primary filter: it must not have tears, holes or other damage: in this case replace it (see INDEX).
- Check that the technical data plate is legible and not damaged in any way: contact the manufacturer for a replacement if necessary.

PERFORMANCE TOLERANCES

The performance of the turbine or the motor may vary by 15% based on the temperature and air humidity. The safety valves are calibrated based on the amperage of the turbine.

TROUBLESHOOTING

You can thus solve any problem that may occur.

Motors do not start:

- 1 - No electrical voltage.
- 2 - Check cables, plugs and socket.

Suction capacity decreases slowly:

- 1 - Filter, nozzle, suction hose or suction pipe may be blocked.
- 2 - Check, clean accessories. Clean filter.

Dust comes out during the vacuuming:

- 1 - Filter has not been fastened correctly or is defective.
- 2 - Check to see if filter is sitting properly; replace if required.

TECHNICAL DATA PLATE

Every V-TUF machine carries a registration plate showing essential details that are necessary when contacting the supplier/manufacturer for advice, suggestions or information on spare parts.

The following details are included on the plate:

- Manufacturer
- Model
- Serial Number
- Supply voltage
- Installed rated power
- CE symbol (built in compliance with Machinery Directive 2006/42/EEC)
- Zone Atex marking of use

The identification plate is located on the control panel or near the power cable.

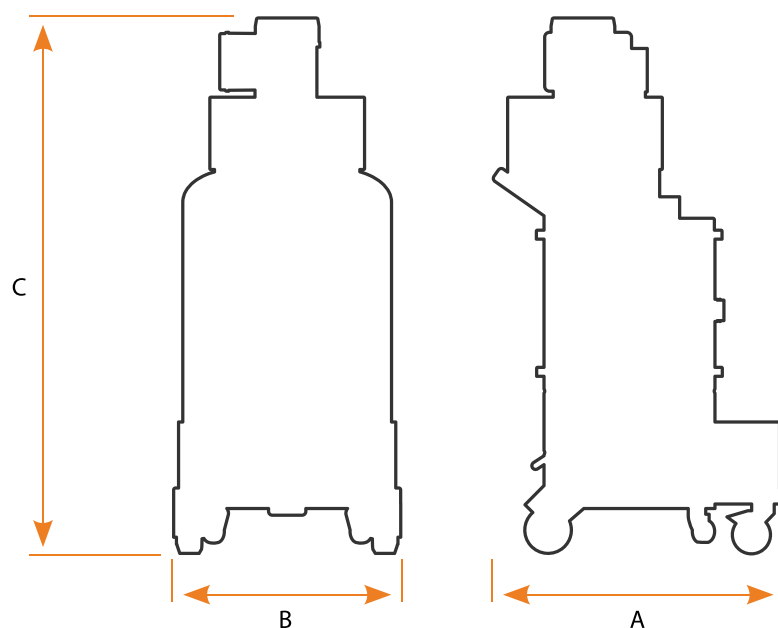
Model	Serial N°
Year of manufacture	Type of pump
Type of Engine	

TESTING

All V-TUF machines are tested before packaging and delivery in order to ensure the correct function of each component. An accurate electrical safety test is carried out in compliance with specific electric safety standards related to:

- Ground continuity test
- Insulation resistance test between every phase and the ground
- Dielectric test
- Measurement of dispersed current
- Measurement of power and absorbed current (acceptable difference of +/-10% of rated value)
- Measurement of maximum depression and air exhaust values (tolerance of +/-15% based on temperature values and humidity of environment)
- Measurement of maximum air absorption

TECHNICAL DATA



TECHNICAL DATA:

Industrial Specification ~ GRINDEX1300LPS

SPECIFICATIONS	GRINDEX1300LPS 240V	GRINDEX1300LPS 110V
Certificate	CE	
Motor	N° 3 By-pass	
Power	3300 W	3300 W
Tension	230 V - 50 Hz	110 V - 60 Hz
Max depression	230 mBar	200 mBar
Air flow	510 m ³ /h	450 m ³ /h
Protection	IP54	
Filter cleaning	Automatic	
Primary filter class	HEPA	
Primary filter surface	2 m ²	
Collection system	Longopac 22 m	
Tank diameter	460 mm	
Inlet diameter	50 mm	
Sound pressure level	78 dB	

DIMENSIONS

A	80 cm	80 cm
B	66 cm	66 cm
C	142 cm	142 cm
Weight	74 Kg	74 Kg

MACHINE PARTS



1. ON-OFF switch
2. Forced filter cleaning button
3. Suction unit
4. Accessories connection
5. Bag
6. Wheels with brake

USING THE VACUUM CLEANER



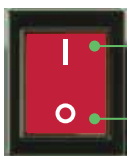
BEFORE SWITCHING ON THE VACUUM BE SURE THE CONTAINER IS EMPTY.



DO NOT USE THE DEVICE TO COLLECT LIQUIDS.



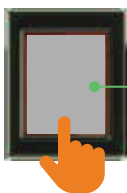
1. ON-OFF SUCTION



3 motors switch on

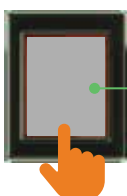
Switch off

1. PUSH VERSION



Press one time to switch on
Press one time to switch off

2. FILTER CLEANING



Push for forced filter cleaning

COLLECTION BAG USE

The dust and the particles are collected in a bag placed in the container under the hopper.

This system called LONGOPAC® consists in a 22 mts plastic tubular from which are obtained 20/30 bags of different weights and dimensions. Once finished or damaged, the tubular must be replaced by a new refill.

The operations described below must be carried as the machine is turned off.



1. Close the bag with two distanced bands.



2. Cut the strip between the two bands.



3. Pull the LONGOPAC® end to make a new bag



THIS MODEL USES COLLECTION BAG FOR DUST, LONGOPAC®, CODE: 0933RC



SUCTION MATERIALS MAY REPRESENT AN ENVIRONMENTAL AND PEOPLE HAZARD.



SUCH MATERIALS MUST BE DISPOSED ACCORDING TO LAW PROVISIONS.

BAG REPLACEMENT



1. Cut the LONGOPAC® sac in order to let it open.



2. Pull and rotate the retaining pins of the LONGOPAC® container in order to unlock them.



3. Remove the LONGOPAC® container and any waste.



4. Insert the new LONGOPAC® with the inner part facing upwards.



5. Cut and remove the LONGOPAC® closing bands.



6. Keep the inner part of the bag inside the container and pull it up to the lower edge.



7. Pull the outer part of the bag to create the new one.



8. Insert the container with the LONGOPAC®.



9. Pull and rotate the retaining pins and insert them into their seats.



10. Pull the bag and place at the edge the band to create a new one. If necessary use two bands.

ACCESSORIES

Depending on the specific needs of the client, the vacuum cleaner may include accessories that are not normally supplied in the standard version. It is necessary to select the suction hose and accessories that are appropriate for the type of material that must be sucked into the cleaner. The machine is now ready for use. Connect one end of the flexible hose to the desired accessory and the other with the quick coupling nozzle mounted on the filter chamber. (See the accessories sheet)



FILTER REPLACEMENT



THE SUBSTITUTION OF THE FILTER MUST BE CARRIED ONLY BY PERSONNEL AUTHORIZED BY V-TUF. EACH NON AUTHORIZED SUBSTITUTION AND/OR MAINTENANCE OF FILTERING SYSTEM CAN COMPROMISE THE SAFETY OF APPLIANCE, IN THIS CASE THE PRODUCER DECLINES EVERY RESPONSIBILITY.

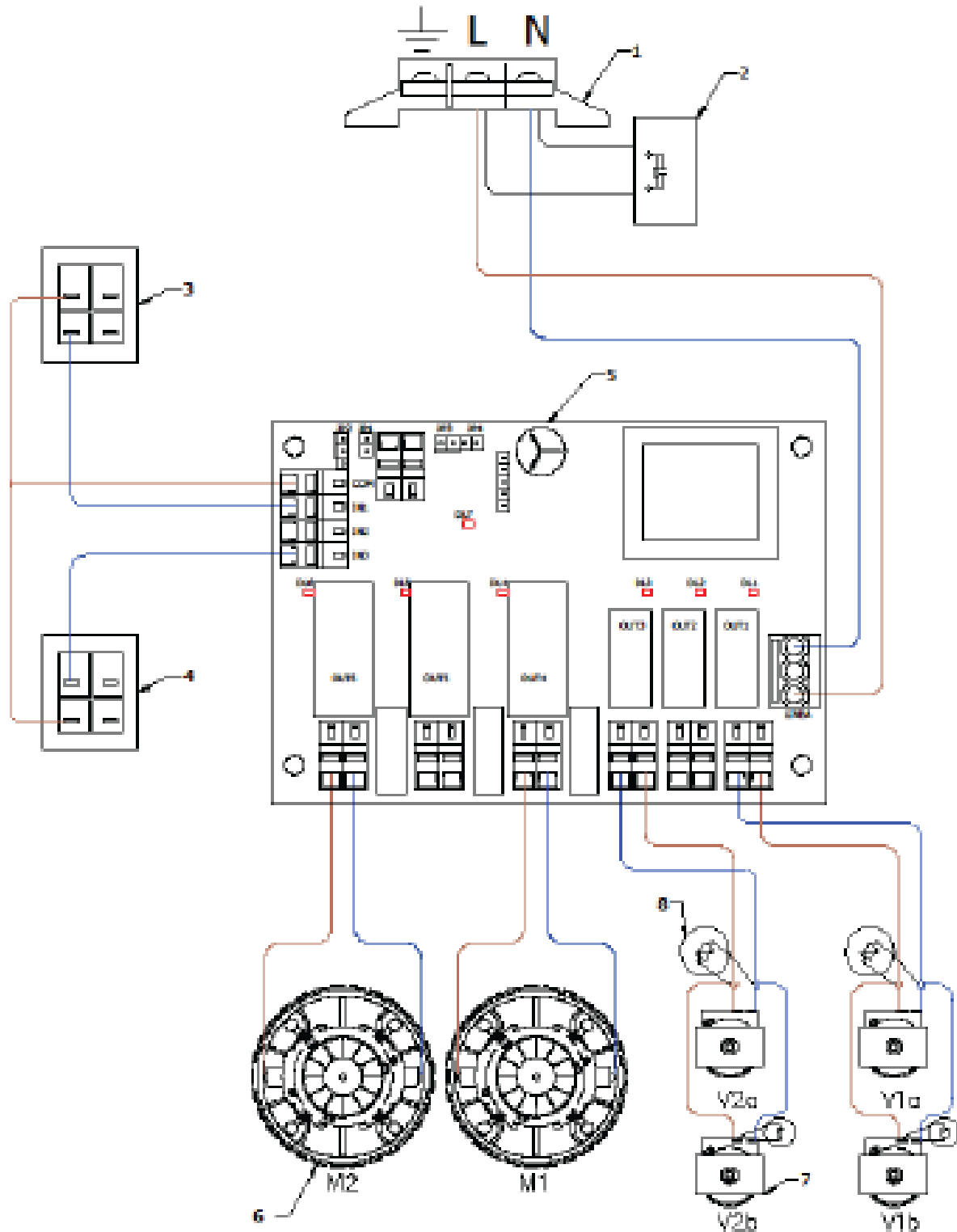


1. Disconnect and lift the head.
2. Unscrew the wing nut and remove the spring and washer
3. Remove the filter's cylindrical steel protection (unscrewing the screws on the edge)
4. Replace the filter with a proper one for the vacuum cleaner in use, check the filter integrity.
5. Mount the cylindrical protection
6. Install the new filter according to the label on the bottom of the filter
7. Reconnect the System clean filter on the filtering chamber



WIRING DIAGRAMS

W6 SHEET



- | | |
|-------------------------------------------|--------------------|
| 1. Terminal | 5. Electronic card |
| 2. Anti-disorderer | 6. Motor |
| 3. Momentary switch (NO) (MOTOR) | 7. Vibrator |
| 4. Momentary switch (NO) (FORCE CLEANING) | 8. VDR |

V-TUF[®]

www.V-TUF.COM