

V-TUF[®]



TORRENT SP200

INDUSTRIAL 7HP PETROL PRESSURE
WASHER WITH HONDA ENGINE

OPERATOR MANUAL



Please read this manual before using the TORRENT SP200

PETROL ENGINE PRESSURE WASHER STARTING INSTRUCTIONS

<p>Check Pump Oil SAE 10W-30 Non-Detergent</p>  <p>1/2 level of side gauge</p>	<p>ADD OIL to engine</p>  <p>ADD Fuel</p> 	
<p>MAKE SURE PUMP OIL TO BE HALF LEVEL</p>	<p>ADD ENGINE OIL & FUEL TO FUEL TANK</p>	<p>ATTACH NOZZLE TO LANCE SQUEEZE TRIGGER TO OPEN</p>
 	 	<p>Move 1/3 toward fast</p>  
<p>APPLY CHOKE</p>	<p>OPEN FUEL VALVE</p>	<p>ADJUST THROTTLE</p>
 <p>ON</p>	 	<p>Move to fast</p>  
<p>SWITCH ON PULL START</p>	<p>AFTER 5 MINUTES MOVE CHOKE TO RUN</p>	<p>ADJUST THROTTLE TO FAST</p>

CONTENTS

Contents	Page
Important safety Instructions	4 -7
Safety Features & Security Norms	7-10
Technical Data	11
Identification Data	12
Use of the machine	13-14
Transport & Lifting	15-16
Cleaning Applications	17
Troubleshooting	18-20
Accessories & Part List	21
XHDH100 Super Series Pump	22

Important Safety Instructions

This book has important information for the use and safe operation of this machine.

Read and understand all warnings before you start working.

IDENTIFICATION LABEL

Before using this machine, make sure that it is provided with the identification Label. In case the identification Label is missing, do not use the machine and consult your dealer immediately.

The Identification Label with the technical specifications is fixed to the Chassis on the rear of the electrical enclosure inside the cabinet



WHEN USING THIS MACHINE, PLEASE FOLLOW THESE BASIC PRECAUTIONS



1. Read and understand all the instructions before using the machine.
2. Know how to stop the machine and release pressure quickly, be familiar with all the controls.
3. The jet must not be directed at persons, animals, live electrical equipment or the appliance itself.
4. Do not direct the jet against yourself or others in order to clean clothes or foot-wear.
5. Switch off machine before carrying out user maintenance.
6. High pressure cleaners must not be used by children or untrained personnel.
7. High pressure hoses, fittings and couplings are important for the safety of the appliance. Use only hoses, fittings and couplings recommended by V-TUF.
8. Always wear suitable eye, face and body protection.
9. Do not operate the machine when fatigued or under the influence of alcohol or drugs.
10. Keep operating area clear of all persons.
11. Do not overreach or stand on any unstable ground, keep good footing and balance at all times.
12. Follow the maintenance instructions specified in the manual.
13. Do not use in an enclosed or unventilated area.
14. To prevent fire hazard, do not use with or near inflammable substances such as: petrol, solvents or thinners.

This manual should be considered a permanent part of the machine and should remain with it if ownership is transferred.

Save These Instructions in a Safe Place

General Points

Instruction Manual

Please check that the manual is in good condition and that each of the pages are clearly legible. Should the manual be damaged, or missing any pages, please return it immediately to your reseller who will provide you with a replacement copy. Alternatively, you can download this document as a pdf from the website at v-tuf.com and search for this TORRENT SP200 Industrial Pressure Washer.

Conservation of the Manual

This manual should be retained for the full working life of the machine. In case of loss or damage, please request a copy from V-TUF, quoting type of machine, matriculation number and the year of manufacture.

Trial before shipment

The machine has been tested at the manufacturer's factory by a V-TUF technician to check that all of the components are functioning correctly according to the machine's specifications.

Guarantee Terms

The machine is under guarantee according to agreed contractual terms which constitute an integral part of the order or the rules in force, in all cases, for a maximum period equivalent to twelve (12) months from the date of dispatch from the factory. The guarantee covers exclusively breakages which could be due to defective mechanics or assembly. The guarantee does not cover parts subject to wear and tear. The guarantee is considered forfeit in the following cases:

1. Improper use of the machine, failure to observe the rules of use,
2. Use of non-original parts, those not sold directly by the manufacturer or an authorised re-seller,
3. Modifications made to the machine, or repairs made to the machine by anyone not specifically authorised by the manufacturer or by the re-seller.

Packaging

The packing materials and any parts replaced during maintenance should be collected and sent to a specialist waste disposal firm (wood, plastic, metal etc.) and not left within the reach of children or animals.

Delivery

The transport will be carried out by qualified companies, in respect to regulations in force and legislation relative to weight and length. The merchandise travels under the full responsibility of the transporter and the user; in the event of an accident, or late delivery, the manufacturer accepts no liability.

Checks

Upon receipt of the goods, check the condition that they are in. Should they appear damaged, avoid any type of installation and immediately advise the transporter and the supplier.

To ascertain the condition of the parcel, proceed to unpack the goods and check that the delivery is complete (check the correspondence with the delivery note), ascertain whether the machine has arrived in generally good condition, free of breakages or dents. In the event of missing or damaged items, immediately advise the re-seller and / or the manufacturer after having reported these when signing the transporter's delivery note.

Personal identifying data

An exact description of the model, serial number and installed accessories will aid a quick and efficient response on the part of the manufacturer or help centre. Always provide the type, model of machine and its serial number each time you contact the help centre.

To help you remember, we suggest that you place the relevant machine details in the panel below:

Model	Serial N°
Year of manufacture	Type of pump
Type of motor	

Prior to use, please carefully read the instructions, paying particular attention to "IMPORTANT RECOMMENDATIONS", "SECURITY NORMS" and "PRECAUTIONS".

It is forbidden to remove or tamper with the protective parts of the machine.

It is forbidden to use inflammable, explosive or toxic substances.

It is obligatory to use appropriate protective equipment.

It is obligatory to keep the machine clean and in good working order, in particular the controls, the connections and the technical data panel.

For your safety, and that of those around you, and for the continued working of the machine, do not use parts other than those prescribed by the constructor.

Before using the high pressure cleaner, always try to ensure that any potential hazardous conditions have been removed or eliminated from the area of usage.

The high pressure cleaner should be used with clean water. Unfiltered water and/or corrosive chemicals will cause damage to the machine.

IMPORTANT RECOMMENDATIONS

The ordinary use of this machine does not require particularly specialised training, as long as the user has sufficient competence and training to carry it out, knowledge of this manual and is aware of general safety procedures.

Follow the instructions with great care for your safety and that of others, to safeguard your machine and protect the environment.

SECURITY NORMS

FOUR SYMBOLS TO REMEMBER



General danger



Ranger of severe damage to the machine



Danger to people



Safeguarding the environment

Your machine is supplied with electronic apparatus, the use of which requires the observation of the following safety criteria.



When using the machine outdoors, do not use when it is raining



Do not attempt any kind of maintenance whilst the plug is connected to any sort of power supply.



Take care not to spray the machine with the water jet as this could lead to short-circuit



Should you need to use an extension lead with the power supply, make sure that the connection between the extension lead and the power lead is secure and stable and conforms to standard safety norms. The plug and the socket should be waterproof.



Keep the machine out of reach of children or unauthorised personnel.



It is strictly forbidden for the user to operate the machine in any way in bare feet.



Do not use the machine if any of its components are defective.



Do not use the machine if there are people in your way.



Do not direct the water flow near sources of electricity.



Do not place your hands ahead of the lance; high pressure nozzles can be extremely dangerous when used inappropriately.



If the machine should be used in service stations, supply stations or other potentially dangerous locations, please ensure that the appropriate safety procedures are observed.



Do not touch the engine, the chimney the boiler or other internal parts when the machine is on, or immediately after it has been turned off as you may risk burning or scalding.



Should you need to clean the engine, this procedure should be carried out in places where, to safeguard the environment, an adequate oil separator is installed.



Re-filling of petrol should only be undertaken when the machine is turned off



Should you need to clean the motor, this procedure should be carried out in places



Do not use combustible materials other than those advised by the constructor.



Once you have finished working, and after the machine has stopped, release the residual pressure in the tube and pump by squeezing the pistol lever.



It is strongly forbidden to carry out any operation with the machine if you are not wearing the appropriate safety equipment (protective glasses, gloves, overalls etc) as per established safety norms.



During winter, and in the event of frost, it is advisable to use anti-freeze or to empty out the water from the internal circuits by closing the tap from the water supply and activating the machine until all of the water is expelled.



Should the machine remain inactive for extended periods of time, it is possible that calcium deposits can form in the valves which can then cause problems when trying to re-start the machine. Should this happen, pay particular attention to any strange or unexpected noises emanating from the machine, in which case you should consult your local technical services.

IMPROPER USE

By improper use, we mean using the machine for uses which it was not specifically designed for, such as:

- Washing of objects or vehicles which have come into contact with inflammable or noxious dust, gas or liquids, or substances which can cause dangerous reactions when in contact with water.
- Use of the machine in places where there is a danger of explosions, or a significant risk of fire.
- Use of the machine for the cleaning of animals, of any size.
- Use of the machine by anyone under the age of 16 years.
- Use of the machine in the rain or during thunderstorms.
- Use of the machine for the washing of any equipment supplied by an electric current.
- Use of the machine by anyone unauthorised personnel, or anyone untrained to do so.

ERRONEOUS USE

By erroneous use, we mean the use of our machine without respect for the guidelines contained in the instruction and maintenance manual. Lack of respect for these guidelines can represent a risk of injury to both the operator and those persons nearby as well as a risk of serious damage to the machine itself.

Erroneous use, therefore, can constitute: unsecured connections (including those of accessories supplied as optional extras), not using original spare parts, repairs undertaken by unauthorised or unqualified personnel, use of the machine for purposes it was not designed for (see improper use), lack of proper maintenance and use of the electrical power supply cable or the high pressure tube to drag or haul the machine around.

PRECAUTIONS

Before activating the high pressure cleaner, make certain that the water supply is correct (min. 1 Bar – Max 8 Bar); dry use can provoke serious damage to the machine's waterproofing systems.

To safeguard the security of the operator and of the machine, avoid making modifications to the machine without the written consent of the manufacturer.

If you notice any damage to the machine, refrain from any and all work with the machine, and immediately inform the re-seller or an authorised technician.

During use, avoid covering the machine: if you consider it necessary to protect the machine, do it in such a way as to allow air to circulate freely in order to cool the engine.

In the event of a long pause / break during work / using the machine (more than 15 minutes), turn off the machine and release the residual pressure.

The maintenance of this machine requires the use of a qualified person who, as well as having knowledge of this instruction manual, should be equally familiar with general safety guidelines as well as those measures specific to this machine.

For matters of repair, maintenance and tuning, we always recommend that you refer to a re-seller or authorised technician.

ATTENTION:

Never under-estimate these warnings, use of the machine in an inappropriate manner, can lead to serious damage and injury to the operator and any surrounding personal. Don't take risks!

ATTENTION:

The manufacturer cannot be held responsible for any eventual damage or injury to people, animals or property resulting from improper or unreasonable use, or usage in any way not conforming to the instructions contained in this manual.

TECHNICAL DATA:**Industrial Specification - Torrent SP200**

PRESSURE (psi)	2755
FLOW (litres/minute)	12
PUMP TYPE	SWASHPLATE
UNLOADER	INTEGRAL
INLET FILTER	YES
THERMAL PROTECTION VALVE	YES
OIL SIGHTGLASS	YES
CHEMICAL INJECTION	YES
ENGINE BRAND	LONCIN ECO-FECTIV
DISPLACEMENT (cc)	212 (7hp)
STARTING SYSTEM	RECOIL STARTER
FRAME FINISH	STAINLESS STEEL
WHEELS	10" PNEUMATIC
HIGH PRESSURE HOSE	10M QUICK RELEASE
GUN AND LANCE KIT	YES
NOZZLES	5 QUICK RELEASE (00,150,250,400& CHEMICAL)
DIMENSIONS (cm)	58 x 54 x 49

IDENTIFICATION DATA

The position of the identification data of the machine

1) Identification of the machine according to EU directives.



V-TUF®		CE	Li
Great Britain		IPES	91
Model / Modello	Rapid Mobile 1		
Type / Tipo	2130R		
Serial Nr. / Numero di serie	000396		
Unit production / Lotta	0016		
Working pressure	1740 psi		
Pressure / Pressione	120 bar		
Flow prodn. / Min. / Max.	5.1 / 10 lpm		
Flow prodn. / Min. / Max.	5.1 / 10 gpm		
Max. heating temp.	80 °C		
Temp. / Max. Ambient	32 °C		
Water output max. temp.	140 °C		
Temp. / Max. Electric Ambient	140 °C		
Motor horsepower / Potenza afflata	2.7 kW		
Number of Gals. @ 1/2"	1400 Gpm		
Frequency / Frequenza	50 Hz		
Voltage / Tensione	240V 1~1		
Max. pressure	1400 psi		
Pressione Massima	100 bar		
Delivery	2.38 Gpm		
Portafid.	9.000		
Spine / Cinghia / Potenza Cinghia	33. Fench		

ATTENTION:

Check that your TORRENT SP200 high pressure washer has been provided with these identification details, if they have not been provided please inform your local dealer immediately.

Machines which have not been provided with these details **MUST NOT BE USED**, and should be considered anonymous and potentially dangerous.

It is obligatory that you ensure that the data label is always attached to the machine and clearly legible.

In case of damage, loss or illegibility, you should submit a written request to the manufacturer who will then provide you with a new one.

USE WITH CHEMICAL PRODUCTS

With the machine shut down, act the device (adjustable head) placed on the lance end to obtain the suction and the distribution of the product; pull the gun trigger to obtain the detergent distribution and start the work.



ATTENTION

During operation of the machine, it is obligatory to use the appropriate personal safety equipment.

During operation, please pay close attention to the information quoted on the chemical product labels regarding safety and the proper percentages to be used when diluting chemicals.

Fill the detergent tank (5) with the product you intend to use for your work and insert the detergent hose suction.



Repeat actions 1, 2 and 3 as per cold water use.

During operation, the detergent will be sucked up and automatically mixed with the water.

Practical Advice

Avoid soaking with water the surface you then wish to treat with detergent because, in doing so, you can place a film of water over the area you wish to treat, resulting in poor cleaning results. Instead, whilst holding the nozzle pointing towards the ground, wait until the detergent exits the nozzle. When the detergent exits the nozzle, approach the surface you wish to treat, start from the

bottom with overlapping strips until you reach the top of the area, sprinkling the whole area with detergent. This system is known to avoid dripping of detergent onto dry surfaces, the residue of which could remain even after rinsing.

In order to avoid the formation of deposits or crusts, at the end of operation it is advisable to pass clean water through the pump for a few seconds.

Important Advice

To safeguard the environment, we advise that only authorised detergents are used, that the recommendations of use and dosage are observed on the product labels, that detergent is used sparingly and remember that use of inappropriate detergent, as well as damaging the environment can damage the hot water cleaner as well as the objects being cleaned.

USE DETERGENTS WHICH ARE OVER 90% BIODEGRADABLE.

Before sprinkling detergent over varnished areas with delicate colours, make sure that the surfaces to be treated are not hot, that the detergent has not dried and that the concentration of water / detergent is correct.

IMPORTANT: Rinse well.

Upon completion of operation, shut down the machine then squeeze the pistol lever until the residual water pressure has been expelled.

LUBRICATION OF THE PUMP

For the models 200.15 we recommend:

V-TUF Pressure Lube PL100 – OIL CAPACITY 1.2 litres

For the models 100.12 we recommend:

V-TUF Pressure Lube PL100 – OIL CAPACITY 0.42 kg

You should change the oil after the first 50 hours of use, and after each subsequent 500 hours of operation.

TRANSPORT – LIFTING – SHIFTING

ATTENTION:

Whenever the machine needs to be transported, it should be securely fixed with straps, cables or other suitable equipment in order to avoid accidental movement which could cause damage to people or property as well as to the machine itself.

ATTENTION:

Should the machine need to be lifted, it should be hooked or coupled by means of strips, or suitable lifting equipment which will safeguard the machine's integrity. Make certain that the lifting equipment used has superior capacity to the weight and volume of the machine; the use of equipment conforming to current applicable safety standards is recommended.

ATTENTION:

It is strictly forbidden to remain under or in the immediate vicinity of the machine while it is being lifted or elevated.

Do not trust crushed or bent chains or straps, always use thick working gloves.

Chain or strap fixtures should always be welded in place.

Check that the attachment is sufficiently robust to sustain the weight.

ATTENTION:

Should the machine need to be shifted manually from one place to another, you should ensure that the power plug has been detached from the electric current, then using the appropriate grip and taking care not to make any sudden movements which could compromise your safety, or that of the integrity of the machine itself, proceed with the moving.

Remember that you must not drag or haul / move the machine by its electrical power supply cable or by the high pressure hose. Use the handles built on the machine.

N. B.

For all further things which have not been specified, please abide by general norms for the prevention of injuries.

STORAGE

Park the machine on a flat surface. If the machine is not going to be used for an extended period of time, empty the water circuits and the fuel tank then cover the machine and store it in a place protected from atmospheric extremes.

SCRAP AND DISPOSAL

Should you decide to scrap the machine, we recommend that you render it inoperative using the following procedure: remove from the machine the electrical power supply cable and water supply tubes; cut the power supply cable and tubes; remove the lance and pistol, cut all of the electrical cables, break the pump and the motor, destroy the identification data label of the machine and also those of the pump and motor group.

Please remember that the chemical products contained inside the machines tubing should be removed in advance; if necessary any containers used for this purpose should be recycled or disposed of as per current laws in force.

PACKAGING

The packaging materials should be gathered together and sent to a company specialising in the disposal of refuse (wood, plastic, metal etc.) and not left within reach of children or animals.

ATTENTION

Do not use products containing solvents, methanol or hydrocarbons.

Cleaning Applications

MARKET SECTOR	APPLICATIONS
Automotive	Cleaning Services, such as car washes, and vehicle cleaning in yards like courier's fleet of trucks and vans.
Public Sector	Cleaning outside of hotels and other public eating areas, including car parks, and entrance steps to buildings.
Construction Industry	Cleaning the outside of buildings, concrete & ready-mix centres. Also for cleaning surfaces with hard residue on.
Railway Industry	Cleaning trains & trams. Cleaning railway stations.
Manufacturing Plants	Cleaning up of oil and dirt, and scale that can be known to build up on equipment, floor surfaces; in workshops and mouldings and castings.
Food Industry	Cleaning of food manufacturing plants and equipment on production lines. Built with a stainless steel cover to comply with regulations in these industries.
Fuel & Oil Industry	Cleaning of drilling platforms, cleaning of oil rigs, cleaning of oil trucks, and cleaning of production equipment in oil production facilities.
Airplanes/Ships/Vehicles	Cleaning up of vehicles for public use, and also airstrips and runways and highways that vehicles use.
Logistics / Storage	Cleaning of vehicles, warehouses and transport related industry.
Metallurgy Industry	Cleaning of dirt on equipment that would be used for making products with iron and steel. Can also be used with sand blasting kits to clean hard surfaces such as paints and rusty dirt on steel castings.
Mining Industry	Cleaning of mine vehicles, transportation belts & underground working lines.
National Defence Industry	Cleaning of residue and dirt on and in ammunition depots and vehicles.

Troubleshooting

PROBLEMS	CAUSES	SOLUTIONS
The pump turns but does not reach the required pressure	The pump is sucking in air.	Check that the piping is watertight
	Worn out valves	Replace the valves
	Worn out valve seat	Replace the valve seat
	Worn out or inadequate water nozzle	Replace the water nozzle
	Worn out gaskets	Replace the gaskets
Irregular fluctuations in pressure	Dirty water filter	Clean the water filter
	Worn out suction and/or delivery valves	Replace the valves
	Presence of foreign bodies in the valves which can affect their performance	Check and clean
	Air being sucked in	Check the piping
Drop on pressure	Worn out gaskets	Replace the gaskets
	Worn out suction and/or delivery valves	Replace the valves
	Presence of foreign bodies in the valves which can affect their performance	Check and clean
	Air being sucked in	Check the piping
	Worn out gaskets	Replace the gaskets

<p>Presence of water in the pump oil</p>	<p>Worn out oil seal.</p> <p>High percentage of humidity on the air.</p> <p>Gaskets are completely worn out.</p>	<p>Replace the oil seal.</p> <p>Change the oil twice as often as is normally prescribed.</p> <p>Replace the gaskets.</p>
<p>Excessive noise</p>	<p>Air is being sucked in.</p> <p>Dirty water filter</p> <p>Insufficient water supply.</p> <p>The springs on the suction and/or delivery valves are worn out or broken.</p> <p>Foreign bodies in the suction and/or delivery valves.</p> <p>Worn out ball bearings.</p> <p>The temperature of the water being pumped is excessive.</p>	<p>Check the seals in the tubing.</p> <p>Clean the water filter.</p> <p>Check that the machine has a water supply superior to the flow rate of the pump.</p> <p>Replace the valves.</p> <p>Check and clean the valves.</p> <p>Replace the ball bearings.</p> <p>Lower the temperature of the water being pumped.</p>
<p>Water discharge from between the pump body and the pump head.</p>	<p>Worn out gaskets.</p> <p>Worn out pistons.</p> <p>OR piston plug is worn out.</p>	<p>Replace the gaskets.</p> <p>Replace the pistons.</p> <p>Replace the OR piston plug.</p>

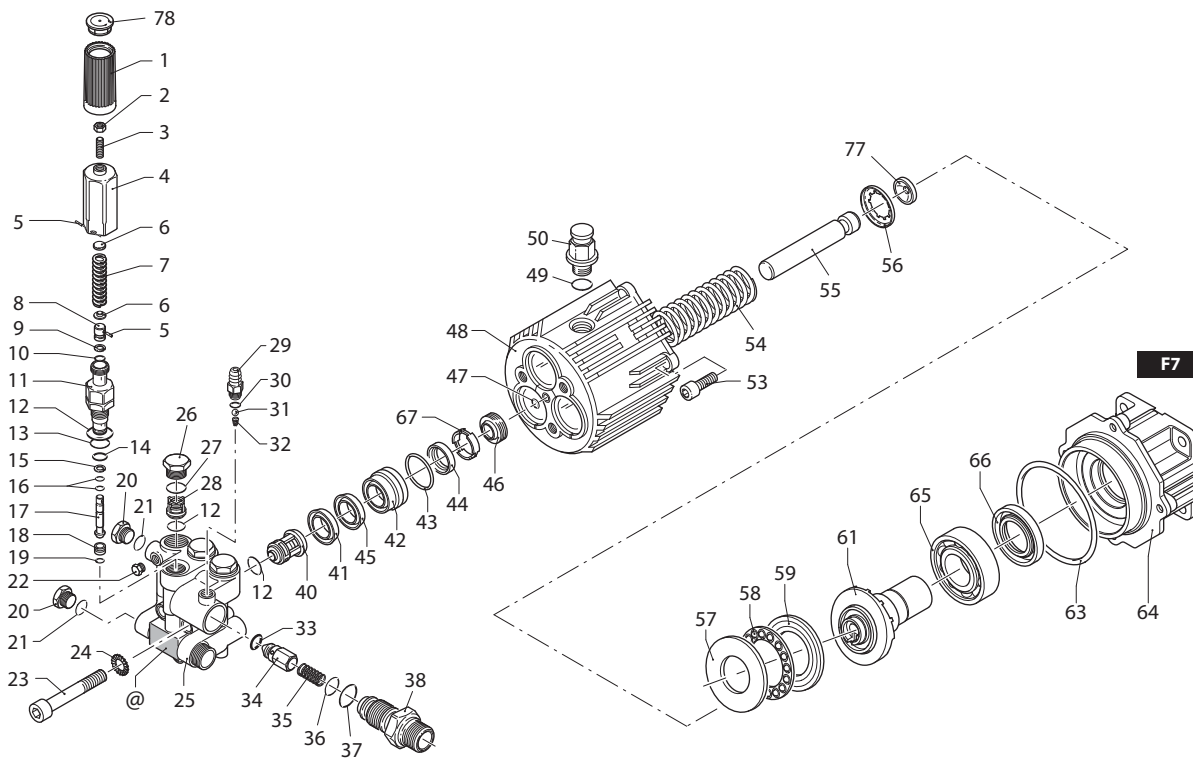
Oil discharge from between the pump body and the pump head.	Worn out oil seals.	Replace the oil seals.
Excessive vibrations.	Worn out or dirty valves.	Replace the valves.
The engine does not start.	There is no fuel in the tank.	Ensure the fuel tank has the correct fuel.

ACCESSORIES PARTS & LIST



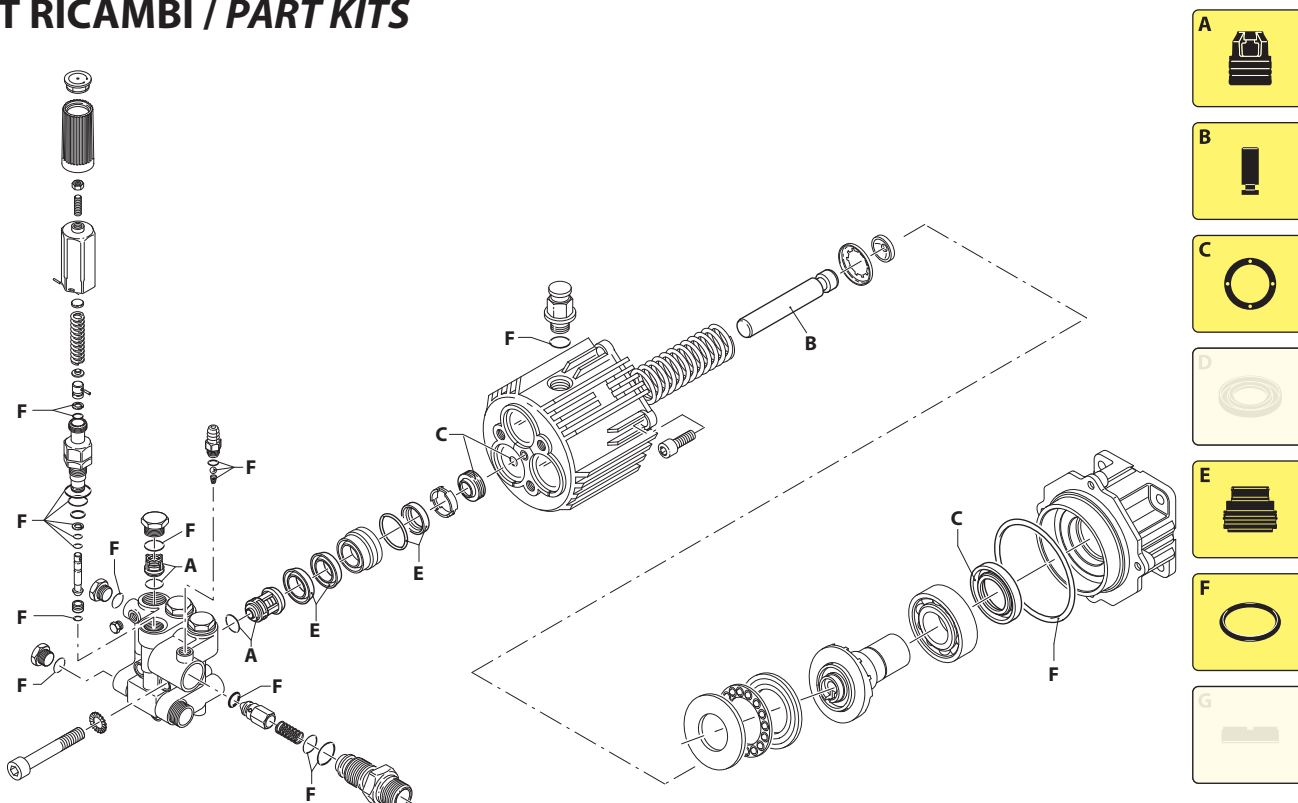
ITEM	CODE	DESCRIPTION	QTY
1	TG350FEXTMSQ	V-TUF tufGUN350 SWIVEL GUN WITH EXTENSION MSQ MALE INLET x M22F OUT	1
2	H4.000	500mm LANCE (M22M ~ QUICK RELEASE)	1
3	B14.5050	QUICK RELEASE JET NOZZLES 0, 15, 25, 40 Degree	1
4	VTK23810UVYK-HD	10m HIGH PRESSURE QR HOSE	1

XHDDH100 VERSION D 3400_{rpm} Ø 3/4"



UN001880-MR

KIT RICAMBI / PART KITS



XHDH100 Series

XHDH100 3400 rpm D version + F7 ø 3/4"

2 G25 (21663)
2.5 G25 (21664)
3 G27 (21666)

3.5 G25 (21667)

3 G25 (FP)

Pos.	Cod.	Denominazione	Description	Qt	Note	Pos.	Cod.	Denominazione	Description	Qt	Note
1	1981780	Manopola	Knob	1		44	1260440	Tenuta acqua	Ø 15	3	Water seal
2	1980300	Dado M6	Nut	1		45	1981580	Anello antiestrusione	Ring	3	
3	1980470	Vite M6x20	Screw	1		46	1980410	Tenuta olio	Oil seal	3	
4	1980390	Inserto	Insert	1		47	770090	Guarnizione OR	Ø 5,28x1,78	1	O-ring
5	1080070	Spina	Pin	2		48	1983050	Corpo pompa	Pump body	1	
6	1980220	Piattello	Wobble plate	2		49	740290	Guarnizione OR	Ø 14x1,78	1	O-ring
7	1271070	Molla	Spring	1		50	1980380	Tappo	Plug	1	C=9Nm
8	1080041	Pistone superiore	Piston	1		53	180030	Vite TCEI M8x20	Screw	4	C=24,5Nm
9	1080401	Anello antiestrusione	Ring	1		54	1981140	Molla	Spring	3	
10	1080250	Guarnizione OR	O-ring	1		55	1981120	Pistone	Ø 15	3	Piston
11	1980210	Guida pistone	Piston guide	1	☛ C=15Nm	56	1980150	Anello	Ring	3	
12	880830	Guarnizione OR	O-ring	7		57	1983100	Ralla	Fifth wheel	1	
13	740290	Guarnizione OR	O-ring	1		58	1980250	Ralla	Fifth wheel	1	
14	800560	Guarnizione OR	O-ring	1		59	1980240	Ralla	Fifth wheel	1	
15	1271170	Anello antiestrusione	Ring	1		60	1982710	Albero marcato 9	Shaft	1	●
16	1080190	Guarnizione OR	O-ring	2		61	1982810	Albero marcato 6	Shaft	1	⊕
17	1271160	Pistone inferiore	Piston	2		62	1982840	Albero marcato 3	Shaft	1	▲
18	1980200	Sede	Seat	1		63	1982860	Albero marcato 1	Shaft	1	✕
19	1470210	Guarnizione OR	O-ring	1		64	1980340	Guarnizione OR	Ø 83,8x2,62	1	
20	880581	Tappo 1/4" G	Plug	2	C=15Nm	65	1981420	Flangia F7	Flange	1	
21	820510	Guarnizione OR	O-ring	2		66	1982360	Cuscinetto	Bearing	1	
22	620301	Tappo 1/8" G	Plug	2	☛	67	1140380	Anello tenuta	Ring	1	
23	1980310	Vite TCEI M10x65	Screw	3	C=50Nm	68	1980430	Distanziale	Spacer	3	
24	650530	Rondella	Washer	3		69	1981130	Piattello	Wobble plate	3	
25	1982450	Testa	Head	1		70	1981770	Tappo	Plug	1	
26	1260162	Tappo	Plug	3	C=50Nm						
27	960160	Guarnizione OR	O-ring	3							
28	1269050	Valvola completa	Complete valve	3							
29	1982520	Portagomma Ø 8	Hose tail	1	☛ C=4Nm						
30	480480	Guarnizione OR	O-ring	1							
31	1250280	Sfera	Ball	1							
32	1560520	Molla	Spring	1							
33	1460430	Guarnizione OR	O-ring	1							
34	1540170	Otturatore nickelato	Shutter	1							
35	1080091	Molla	Spring	1							
36	394280	Guarnizione OR	O-ring	1							
37	1200690	Guarnizione OR	O-ring	1							
38	1270141	Iniettore	Injector	1	C=32Nm						
39	1989050	Valvola completa	Complete valve	3							
40	1342761	Tenuta acqua Ø 15	Water seal	3	☒						
41	1981570	Guida pistone Ø 15	Piston guide	3							
42	770260	Guarnizione OR	O-ring	3	☒						

KIT RICAMBI - PART KITS

A=KIT 2869 valvole valves		B=KIT 2513 Ø 15 pistoni pistons		C=KIT 2591 tenute olio oil seals		E=KIT 2167 Ø 15 tenute acqua water seals	
Pos.	Q.ty	Pos.	Q.ty	Pos.	Q.ty	Pos.	Q.ty
12	6	55	3	46	3	41	3
28	3			47	1	43	3
40	3			66	1	44	3
						45	3

F=KIT 2799 OR O-Rings							
Pos.	Q.ty	Pos.	Q.ty	Pos.	Q.ty	Pos.	Q.ty
9	1	19	1	36	1		
10	1	21	2	37	1		
12	7	27	3	49	3		
13	1	30	1	63	1		
14	1	31	1				
15	1	32	1				
16	2	33	1				

SIMBOLOGIA - SYMBOLS

● Per / For SJV 2 G25 D cod. 21663	⊕ Per / For SJV 2.5 G25 D cod. 21664	▲ Per / For SJV 3 G25 D SJV 3 G27 D cod. 21666	✕ Per / For SJV 3.5 G25 D cod. 21667
--	--	---	--

C Tolleranza coppia di serraggio +0÷-10% / Tightening torque tolerance +0÷-10%

☛ Avvitare con Loxeal 55-14 / Screw with Loxeal 55-14

☒ Lubrificare con grasso Molykote PG54 solo sul diametro INTERNO / Lubricate with grease Molykote PG54 on the INNER diameter only

@ Posizionamento targa di identificazione / Identification plate positioning

Olio - Oil	
Tipo / Type	Quantità / Quantity
SAE 75W90	0,135 Kg

V-TUF[®]

www.V-TUF.COM